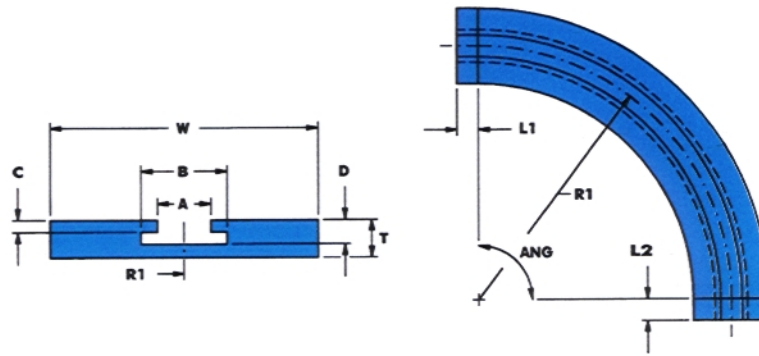


# Curves



## MonoBlock 880 Tab Curves

Part #	Angle deg	A (in)	B (in)	C (in)	D (in)	R1 (in)	T (in)	W (in)
MT0113	15	1.75	2.56	.438	.75	18	1.00	3.75
MT0123	15	1.75	2.56	.438	.75	24	1.00	3.75
MT0133	15	1.75	2.56	.438	.75	36	1.00	3.75
MT0115	15	1.75	2.56	.438	.75	18	1.00	5.00
MT0125	15	1.75	2.56	.438	.75	24	1.00	5.00
MT0135	15	1.75	2.56	.438	.75	36	1.00	5.00
MT0313	30	1.75	2.56	.438	.75	18	1.00	3.75
MT0323	30	1.75	2.56	.438	.75	24	1.00	3.75
MT0333	30	1.75	2.56	.438	.75	36	1.00	3.75
MT0315	30	1.75	2.56	.438	.75	18	1.00	5.00
MT0325	30	1.75	2.56	.438	.75	24	1.00	5.00
MT0335	30	1.75	2.56	.438	.75	36	1.00	5.00
MT0413	45	1.75	2.56	.438	.75	18	1.00	3.75
MT0423	45	1.75	2.56	.438	.75	24	1.00	3.75
MT0433	45	1.75	2.56	.438	.75	36	1.00	3.75
MT0415	45	1.75	2.56	.438	.75	18	1.00	5.00
MT0425	45	1.75	2.56	.438	.75	24	1.00	5.00
MT0435	45	1.75	2.56	.438	.75	36	1.00	5.00
MT0613	60	1.75	2.56	.438	.75	18	1.00	3.75
MT0623	60	1.75	2.56	.438	.75	24	1.00	3.75
MT0633	60	1.75	2.56	.438	.75	36	1.00	3.75
MT0615	60	1.75	2.56	.438	.75	18	1.00	5.00
MT0625	60	1.75	2.56	.438	.75	24	1.00	5.00
MT0635	60	1.75	2.56	.438	.75	36	1.00	5.00
MT0913	90	1.75	2.56	.438	.75	18	1.00	3.75
MT0923	90	1.75	2.56	.438	.75	24	1.00	3.75
MT0933	90	1.75	2.56	.438	.75	36	1.00	3.75
MT0915	90	1.75	2.56	.438	.75	18	1.00	5.00
MT0925	90	1.75	2.56	.438	.75	24	1.00	5.00
MT0935	90	1.75	2.56	.438	.75	36	1.00	5.00

Tangents L1 and L2 zero unless specified

Materials: Polystone M NAT  
PolyStone M Gry Oil

Polystone M Blk Repro  
Sustamid 6G MOS2