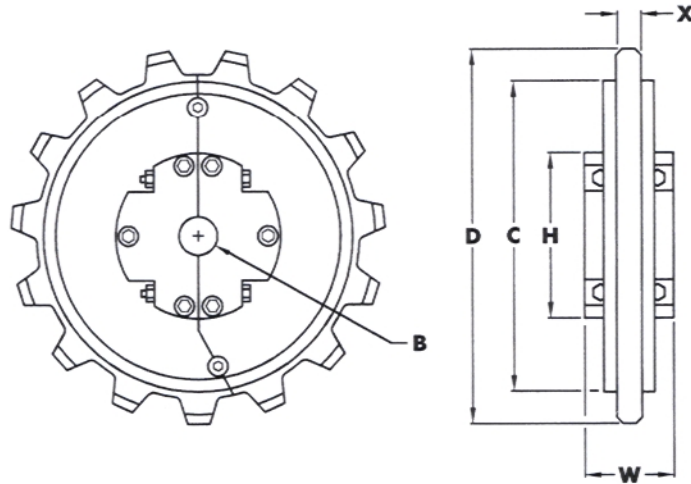
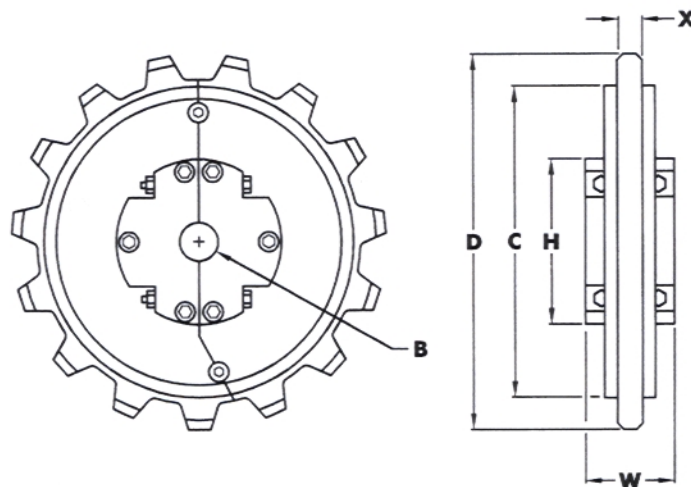


Sprockets



Wastewater CS720 Split Sprocket

Part #	# Teeth	Pitch Dia.	B (in)	D (in)	H (in)	W (in)	X (in)
WW13	13	12.89	1.00	13.39	7.00	4.00	.938
WW17	17	16.59	1.75	17.09	8.88	4.00	.938
WW19	19	18.45	1.75	18.95	8.88	4.00	.938
WW21	21	20.33	1.75	20.83	8.88	4.00	.938
WW23	23	22.21	1.75	22.71	8.88	4.00	.938
WW25	25	24.10	1.75	24.60	10.50	4.00	.938



Wastewater CS720 Split Chainsaver Sprocket

Part #	# Teeth	Pitch Dia.	B (in)	C (in)	D (in)	H (in)	W (in)	X (in)
WW13CS	13	12.89	1.00	10.03	13.39	7.00	4.00	.938
WW17CS	17	16.59	1.75	14.07	17.09	8.88	4.00	.938
WW19CS	19	18.45	1.75	16.06	18.95	8.88	4.00	.938
WW21CS	21	20.33	1.75	18.04	20.83	8.88	4.00	.938
WW23CS	23	22.21	1.75	20.00	22.71	8.88	4.00	.938
WW25CS	25	24.10	1.75	22.03	24.60	10.50	4.00	.938

Standard Material: Polystone M Black Repro