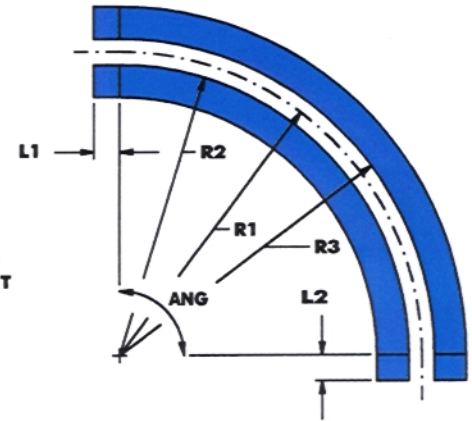
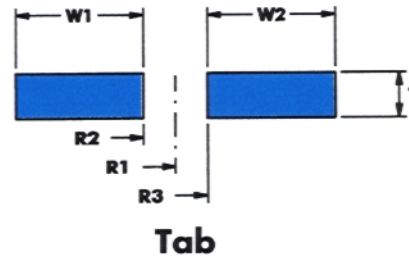
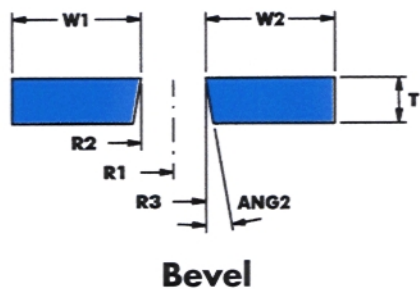


# Curves



## 882 Bevel Flat Curves 2 pc

Part #	Angle deg	R1 (in)	R2 (in)	R3 (in)	T (in)	W1/W2 (in)
2B232	30	24	22.859	25.141	5/8	1.50
2B233	30	30	28.859	31.141	5/8	1.50
2B242	45	24	22.859	25.141	5/8	1.50
2B243	45	30	28.859	31.141	5/8	1.50
2B262	60	24	22.859	25.141	5/8	1.50
2B263	60	30	28.859	31.141	5/8	1.50
2B292	90	24	22.859	25.141	5/8	1.50

Angle 2 8 degrees standard

Tangents L1 and L2 zero unless specified

Materials: Polystone M NAT      Polystone M Blk Repro  
 PolyStone M Gry Oil      Sustamid 6G MOS2

## 882 Bevel Tab Curves 2 pc

Part #	Angle deg	R1 (in)	R2 (in)	R3 (in)	T (in)	W1/W2 (in)
2T232	30	24	22.859	25.141	5/8	1.50
2T233	30	30	28.859	31.141	5/8	1.50
2T242	45	24	22.859	25.141	5/8	1.50
2T243	45	30	28.859	31.141	5/8	1.50
2T262	60	24	22.859	25.141	5/8	1.50
2T263	60	30	28.859	31.141	5/8	1.50
2T292	90	24	22.859	25.141	5/8	1.50

Angle 2 8 degrees standard

Tangents L1 and L2 zero unless specified

Materials: Polystone M NAT      Polystone M Blk Repro  
 PolyStone M Gry Oil      Sustamid 6G MOS2