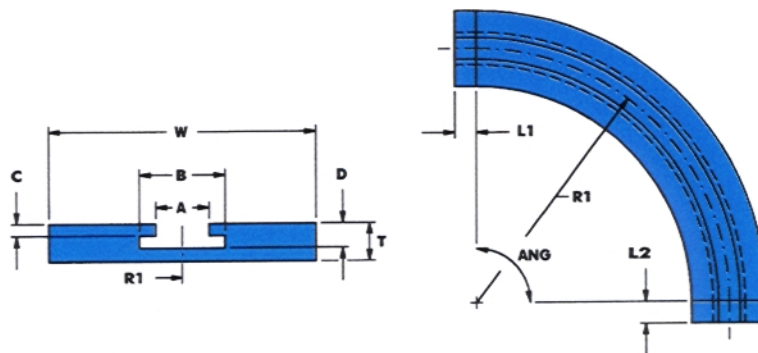


Curves



MonoBlock 882 Tab Curves

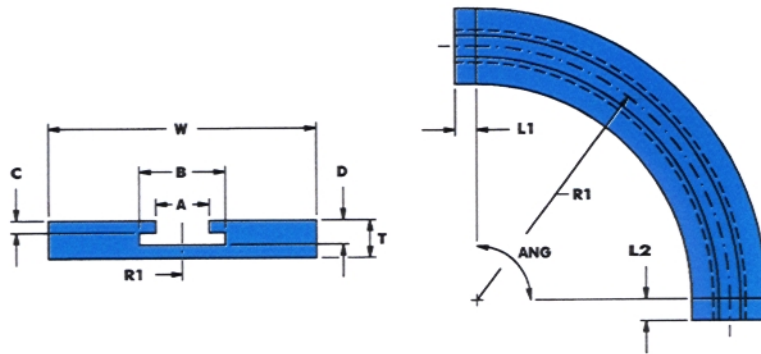
Part #	Angle deg	A (in)	B (in)	C (in)	D (in)	R1 (in)	T (in)	W (in)
MT2115	15	2.281	3.25	.625	1.00	18	1.25	5.00
MT2125	15	2.281	3.25	.625	1.00	24	1.25	5.00
MT2135	15	2.281	3.25	.625	1.00	36	1.25	5.00
MT2118	15	2.281	3.25	.625	1.00	18	1.25	8.00
MT2128	15	2.281	3.25	.625	1.00	24	1.25	8.00
MT2138	15	2.281	3.25	.625	1.00	36	1.25	8.00
MT21110	15	2.281	3.25	.625	1.00	18	1.25	10.50
MT21210	15	2.281	3.25	.625	1.00	24	1.25	10.50
MT21310	15	2.281	3.25	.625	1.00	36	1.25	10.50
MT21112	15	2.281	3.25	.625	1.00	18	1.25	12.50
MT21212	15	2.281	3.25	.625	1.00	24	1.25	12.50
MT21312	15	2.281	3.25	.625	1.00	36	1.25	12.50
MT2315	30	2.281	3.25	.625	1.00	18	1.25	5.00
MT2325	30	2.281	3.25	.625	1.00	24	1.25	5.00
MT2335	30	2.281	3.25	.625	1.00	36	1.25	5.00
MT2318	30	2.281	3.25	.625	1.00	18	1.25	8.00
MT2328	30	2.281	3.25	.625	1.00	24	1.25	8.00
MT2338	30	2.281	3.25	.625	1.00	36	1.25	8.00
MT23110	30	2.281	3.25	.625	1.00	18	1.25	10.50
MT23210	30	2.281	3.25	.625	1.00	24	1.25	10.50
MT23310	30	2.281	3.25	.625	1.00	36	1.25	10.50
MT23112	30	2.281	3.25	.625	1.00	18	1.25	12.50
MT23212	30	2.281	3.25	.625	1.00	24	1.25	12.50
MT23312	30	2.281	3.25	.625	1.00	36	1.25	12.50
MT2415	45	2.281	3.25	.625	1.00	18	1.25	5.00
MT2425	45	2.281	3.25	.625	1.00	24	1.25	5.00
MT2435	45	2.281	3.25	.625	1.00	36	1.25	5.00
MT2418	45	2.281	3.25	.625	1.00	18	1.25	8.00
MT2428	45	2.281	3.25	.625	1.00	24	1.25	8.00
MT2438	45	2.281	3.25	.625	1.00	36	1.25	8.00

Tangents L1 and L2 zero unless specified

Materials: Polystone M NAT
PolyStone M Gry Oil

Polystone M Blk Repro
Sustamid 6G MOS2

Curves



MonoBlock 882 Tab Curves

Part #	Angle deg	A (in)	B (in)	C (in)	D (in)	R1 (in)	T (in)	W (in)
MT24110	45	2.281	3.25	.625	1.00	18	1.25	10.50
MT24210	45	2.281	3.25	.625	1.00	24	1.25	10.50
MT24310	45	2.281	3.25	.625	1.00	36	1.25	10.50
MT24112	45	2.281	3.25	.625	1.00	18	1.25	12.50
MT24212	45	2.281	3.25	.625	1.00	24	1.25	12.50
MT24312	45	2.281	3.25	.625	1.00	36	1.25	12.50
MT2615	60	2.281	3.25	.625	1.00	18	1.25	5.00
MT2625	60	2.281	3.25	.625	1.00	24	1.25	5.00
MT2635	60	2.281	3.25	.625	1.00	36	1.25	5.00
MT2618	60	2.281	3.25	.625	1.00	18	1.25	8.00
MT2628	60	2.281	3.25	.625	1.00	24	1.25	8.00
MT2638	60	2.281	3.25	.625	1.00	36	1.25	8.00
MT26110	60	2.281	3.25	.625	1.00	18	1.25	10.50
MT26210	60	2.281	3.25	.625	1.00	24	1.25	10.50
MT26310	60	2.281	3.25	.625	1.00	36	1.25	10.50
MT26112	60	2.281	3.25	.625	1.00	18	1.25	12.50
MT26212	60	2.281	3.25	.625	1.00	24	1.25	12.50
MT26312	60	2.281	3.25	.625	1.00	36	1.25	12.50
MT2915	90	2.281	3.25	.625	1.00	18	1.25	5.00
MT2925	90	2.281	3.25	.625	1.00	24	1.25	5.00
MT2935	90	2.281	3.25	.625	1.00	36	1.25	5.00
MT2918	90	2.281	3.25	.625	1.00	18	1.25	8.00
MT2928	90	2.281	3.25	.625	1.00	24	1.25	8.00
MT2938	90	2.281	3.25	.625	1.00	36	1.25	8.00
MT29110	90	2.281	3.25	.625	1.00	18	1.25	10.50
MT29210	90	2.281	3.25	.625	1.00	24	1.25	10.50
MT29310	90	2.281	3.25	.625	1.00	36	1.25	10.50
MT29112	90	2.281	3.25	.625	1.00	18	1.25	12.50
MT29212	90	2.281	3.25	.625	1.00	24	1.25	12.50
MT29312	90	2.281	3.25	.625	1.00	36	1.25	12.50

Tangents L1 and L2 zero unless specified

Materials: Polystone M NAT
PolyStone M Gry Oil

Polystone M Blk Repro
Sustamid 6G MOS2