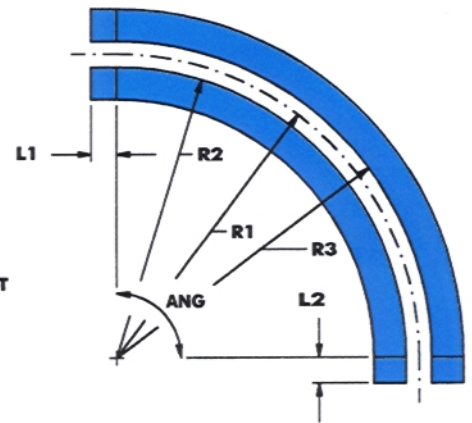
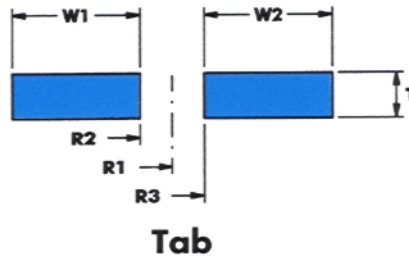
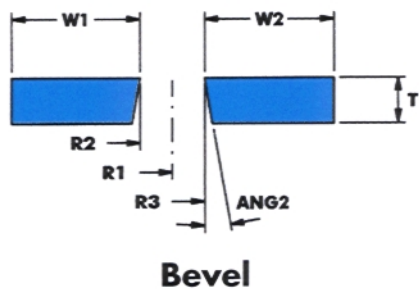


Curves



880 Bevel Flat Curves 2 pc

Part #	Angle deg	R1 (in)	R2 (in)	R3 (in)	T (in)	W1/W2 (in)
2B031	30	18	17.188	18.813	3/8	1.00
2B032	30	24	23.188	24.813	3/8	1.00
2B033	30	30	29.188	30.813	3/8	1.00
2B041	45	18	17.188	18.813	3/8	1.00
2B042	45	24	23.188	24.813	3/8	1.00
2B043	45	30	29.188	30.813	3/8	1.00
2B061	60	18	17.188	18.813	3/8	1.00
2B062	60	24	23.188	24.813	3/8	1.00
2B063	60	30	29.188	30.813	3/8	1.00
2B091	90	18	17.188	18.813	3/8	1.00
2B092	90	24	23.188	24.813	3/8	1.00

880 Tab Flat Curves 2 pc

Part #	Angle deg	R1 (in)	R2 (in)	R3 (in)	T (in)	W1/W2 (in)
2T031	30	18	17.125	18.875	3/8	1.50
2T032	30	24	23.125	24.875	3/8	1.50
2T033	30	30	29.125	30.875	3/8	1.50
2T041	45	18	17.125	18.875	3/8	1.50
2T042	45	24	23.125	24.875	3/8	1.50
2T043	45	30	29.125	30.875	3/8	1.50
2T061	60	18	17.125	18.875	3/8	1.50
2T062	60	24	23.125	24.875	3/8	1.50
2T063	60	30	29.125	30.875	3/8	1.50
2T091	90	18	17.125	18.875	3/8	1.50
2T092	90	24	23.125	24.875	3/8	1.50

Tangents L1 and L2 zero unless specified

Materials: Polystone M NAT
PolyStone M Gry Oil

Polystone M Blk Repro
Sustamid 6G MOS2