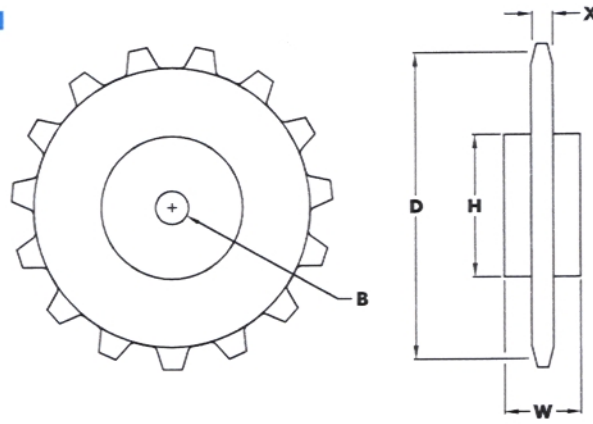


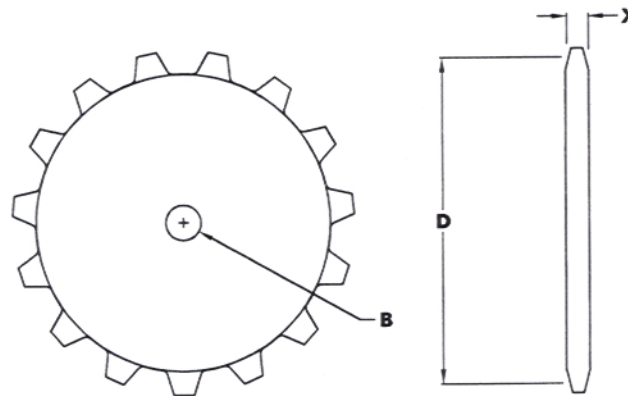
Sprockets



Mill Sprockets 78 Series 2.609" Pitch Hub Type

Part #	# Teeth	B (in)	D (in)	H (in)	W (in)	X (in)
MS78H-4	4	1/2	3.69	1.48	2.00	.88
MS78H-5	5	3/4	4.44	2.46	2.00	.88
MS78H-6	6	3/4	5.22	3.39	2.00	.88
MS78H-7	7	1	6.01	3.50	2.00	.88
MS78H-8	8	1	6.82	4.00	3.75	.88
MS78H-9	9	1	7.63	4.00	3.75	.88
MS78H-10	10	1	8.44	4.50	3.75	.88
MS78H-11	11	1	9.26	4.50	3.75	.88
MS78H-12	12	1	10.08	5.00	3.75	.88
MS78H-13	13	1	10.90	5.00	3.75	.88
MS78H-14	14	1	11.72	5.00	3.75	.88

Standard Material: Polystone M Black Repro



Mill Sprockets 78 Series 2.609" Pitch Plate Type

Part #	# Teeth	B (in)	D (in)	W (in)
MS78P-4	4	1/2	3.69	.88
MS78P-5	5	1/2	4.44	.88
MS78P-6	6	1/2	5.22	.88
MS78P-7	7	1/2	6.01	.88
MS78P-8	8	1/2	6.82	.88
MS78P-9	9	1/2	7.63	.88
MS78P-10	10	1/2	8.44	.88
MS78P-11	11	1/2	9.26	.88
MS78P-12	12	1/2	10.08	.88
MS78P-13	13	1/2	10.90	.88
MS78P-14	14	1/2	11.72	.88

Standard Material: Polystone M Black Repro